

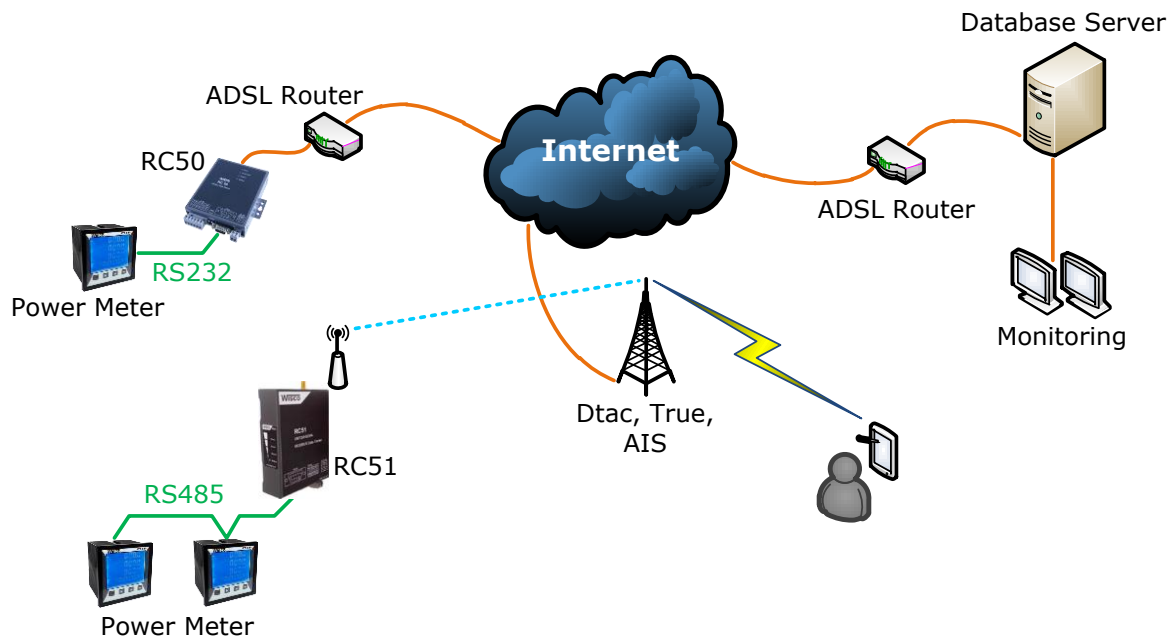
Multifunction Power Meter

JYS-9Y4



- Display V, I, Hz, PF, W, Var, Va, Kwh, Kvarh
- Pulse Output
- RS-485 Modbus Communication

Multifunction Power Meter JYS-9Y4 is Indicator that measure electrical factor such as Voltage, Current and Watt. It indicate value on LCD Display with RS-485 (MODBUS) communication

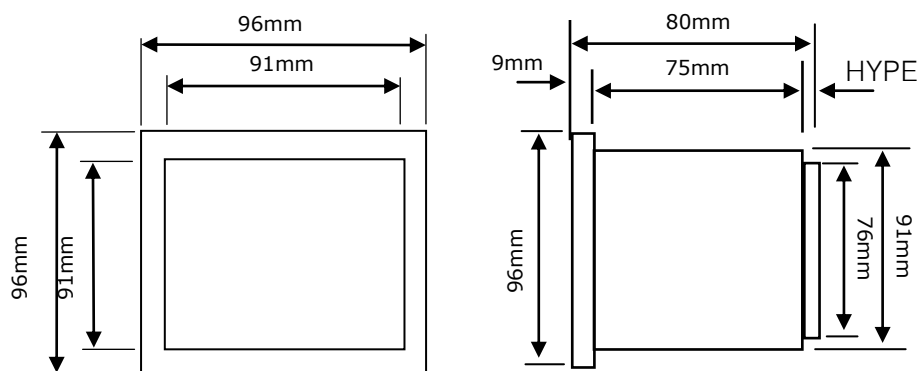


Regardless the above figure is example of Data acquisition of power meter, this system collect all information from every power meter and store at Database Server. Information can be show on personal computer, mobile phone and any device that can be connect to internet using Web Browser such as Internet Explorer, Google Chrome etc.

Specifications

Technical Parameter		Value	
Input	Network	3 Phase (3 Wire), 3 Phase (4 Wire)	
	V	Rate Value	450 VAC
		Overload	1.2 Times Continual, Instantaneous: 2 Times / 10 S
		Power Consumption	< 1 VA (Every Phase)
		Impedance	> 300 K Ω
		Accuracy Class	0.5
	A	Rate Value	5 Aac
		Overload	1.2 Times Continual, Instantaneous: 10 Times / 10 S
		Power Consumption	< 0.4 VA (Every Phase)
		Impedance	< 20 m Ω
		Accuracy Class	RMS Measure, Accuracy Class: 0.5
	Frequency	40 - 60 Hz, Accuracy Class: 0.1 Hz	
	Wattmeter	Active, React, Apparent Output, Accuracy Class: 0.5 %	
Display	V, I, Hz, PF, W, Var, Va, Kwh, Kvarh		
Energy	Four Quarter Measuring	Active Accuracy Class: 0.5 %, React Accuracy Class: 1 %	
Power	Power Supply	220 VAC	
Output	Power Consumption	\leq 5 VA	
	Communication	RS-485, MODBUS RTU Agreement	
	Pulse Output	Kwh, Kvarh (NPN Open Collector)	
Environment	Work Environment	(-)10 - 55 $^{\circ}$ C	
	Storage Environment	(-)20 - 75 $^{\circ}$ C	
Safe	Insulation	Input, Output Power Supply is Linked the Outling Package > 5 M	
Warranty	-	1 Year	

Dimension



Menu Setting

